

Product information presented here reflects conditions at time of publication. Consult factory regarding discrepancies or inconsistencies.



MAIL TO: P.O. BOX 16347 • Louisville, KY 40256-0347
 SHIP TO: 3649 Cane Run Road • Louisville, KY 40211-1961
 TEL: (502) 778-2731 • 1 (800) 928-PUMP • FAX: (502) 774-3624

Visit our web site:
zoellerpumps.com

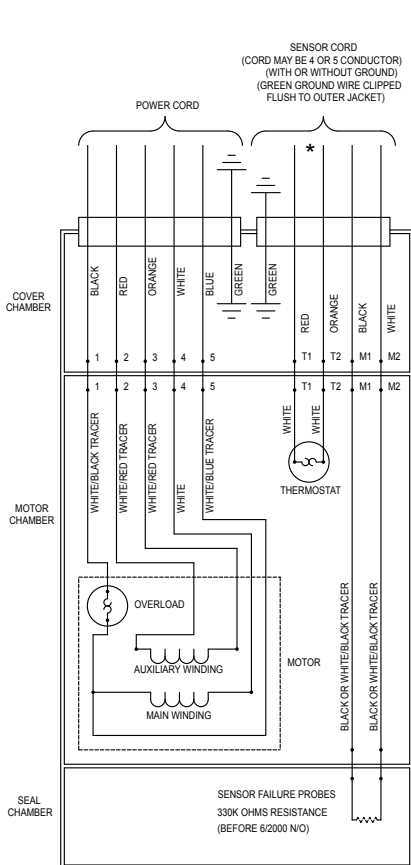
REPLACEMENT PARTS LIST FOR GRINDER MODELS: E840 230V 1 PHASE I840 200V 1 PHASE F840 230V 3 PHASE G840 460V 3 PHASE J840 200V 3 PHASE BA840 575V 3 PHASE

TO ORDER REPLACEMENT PARTS:

PLEASE FURNISH THE
 FOLLOWING INFORMATION:

- Model Number.
- Part Number of Pump.
- Part Number and Description of part.

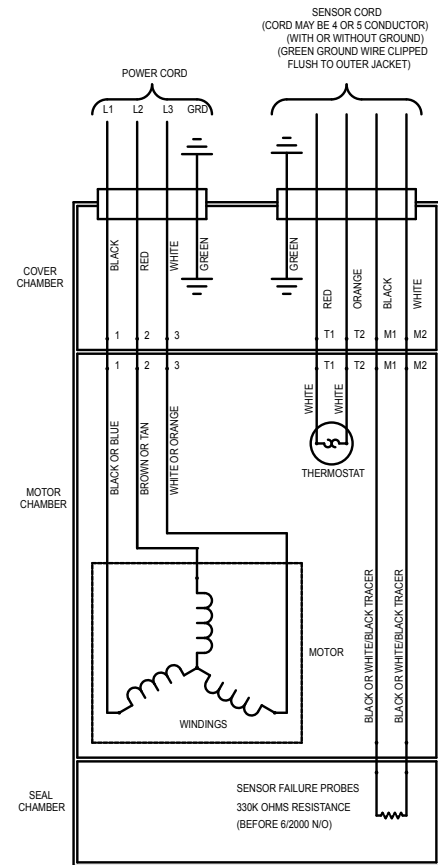
SOOW CORDAGE



008751

*Thermostat Optional

WIRING DIAGRAM FOR MODELS
 "E840" All Revisions
 "I840" All Revisions
 "11/93 thru Current



008752

WIRING DIAGRAM FOR MODELS
 "F840" All Revisions
 "G840" All Revisions
 "J840" All Revisions
 "BA840" All Revisions
 "11/93 thru Current

REPLACEMENT PARTS LIST FOR MODELS "E840"

See back page for illustration.

REF NO.	DESCRIPTION	QTY	NOTES	MODELS:			
				E840-A	E840-B	E840-C	E840-D
				11/93 thru 6/98	7/98 thru 11/02	12/02 thru 8/06	9/06 thru Current
1	COVER & CORD 200/230V/1PH GRINDER	1	3	009049	009049	015826	015826
2	• SEAL,SQ-RING COVER "840"	1		007773	007773	007773	007773
3	• SEAL,THRU WALL TERM	9		003402	003402	003402	003402
4	HOUSING,MTR-& STR 200/230V/1PH/"840"/EMD	1	4,5	009050	009050	009050	009050
	HOUSING,MTR-& STR 200/230V/1PH/"840"/GE		4,5	010266	010266	010266	010266
5	• OIL,DIELECTRIC-(57 OZ CAN)	1		009051	009051	009051	009051
6	ROTOR ASM 200/230V/1PH/"840"/EMD	1	4,5	009052	009052	009052	009052
	ROTOR ASM 200/230V/1PH/"840"/GE		5	010269	010269	010269	010269
7	RING,SNAP-5100-100 TRUARC	1		007769	007769	007769	007769
8	KEY	1		007775	011711	011711	011711
9	CORDAGE TERM&SEAL/20'	1		009053	009053	009053	009053
10	• SEAL,CORD-ASM	1		011064	011064	011064	011064
11	CORDAGE TERM&SEAL/20'	1	3	009054	009054	015829	015829
12	• SEAL,CORD-ASM/POWER CORD	1		009455	009455	015634	015634
13	CASE & SEAL "840"	1		008690	008690	015830	015830
14	• PLUG,TEST	3		034051	034051	015023	015023
15	• BEARING,RADIAL .4724 ID	1		006703	006703	006703	006703
16	• BEARING,7306-P "840/6840"	1		007765	007765	007765	007765
17	• SEAL,SQ-RING ADAPTER 840	1		007771	007771	007771	007771
18	• SENSOR,MOISTURE ASM "840"	2		007770	007770	007770	007770
19	ADAPTER ASM GRINDER	1	6	009055	009055	009055	009055
20	• OIL,DIELECTRIC (11 OZ CAN)	1		009056	009056	009056	009056
21	• SEAL ASM,SHAFT "840"	2		007763	007763	007763	007763
22	• SEAL,SQ-RING SEAL PLATE "840/6840"	1		007772	007772	007772	007772
23	PLATE,SEAL-MACH."840"	1		007757	007757	007757	007757
24	IMPELLER-MACH BRASS	1		007758	007758	007758	007758
	IMPELLER-MACH DUCTILE IRON	1		153254	153254	153254	153254
25	HOUSING,PUMP-MACH "840"	1		008534	008534	008534	008534
26	CUTTER & DISC ASM GRINDER	1		009057	009057	009057	018603
27	SHIM SET FOR 820/840 GRINDERS	1		012632	012632	012632	012632
28	GUARD,CUTTER-PLASTIC 840	1		008528	008528	008528	008528
29	• SCREW,#6-32X.25RHM SL TC STLGR	1		001877	001877	001877	001877
30	• SCREW,.313-18 X1.25 HH CAP-SS	12		001908	001908	001908	001908
31	• SCREW,#10-24X.625"SH CAP SS.	4		007774	007774	007774	007774
32	• SCREW,.25-20 X .75LG HH SS (NYLOCK PRE-COAT 80)	1		009545	009545	009545	N/A
	• SCREW,.25-20 X 1 LG HH SS (NYLOCK PRE-COAT 80)			N/A	N/A	N/A	018602
33	• SCREW,.25-20X.75"SH CAP SS.	3		007768	007768	007768	007768
34	• SCREW,#10-24X.875-FLT SH CAP SS.	3		007761	007761	007761	007761
35	• WASHER,RETAINING-"840"	1		008533	008533	008533	008533
36	• WASHER,LOCK SS .312 ID	14		006402	006402	006402	006402
37	• SCREW,.313-18 X 1" HH CAP-SS	2		002608	002608	002608	002608
38	HANDLE-SS/SQ GUIDE RAIL(GRINDER)	1		010373	010373	016801	016801
39	RESISTOR	1		013740	013740	013740	013740
40	• WASHER,FLAT SS	2		008773	008773	008773	008773
41	DISC, CUTTER	1		007735	007735	007735	007735
42	CUTTER & SHIM ASM/5 BLADE/.75" SCREW	1		019697	019697	019697	N/A
	CUTTER & SHIM ASM/5 BLADE/1" SCREW	1		N/A	N/A	N/A	019698
▣	REBUILD KIT "840"	1		015832	015832	015833	018601

• Items included in Rebuild Kit.

▣ Not Shown in Illustration.

NOTES:

- 1) See FM0160 Price Sheet for listing of parts prices.
- 2) "NA" indicates, not applicable.
- 3) If an "X" follows Model No., or Date Mfg. on brass ID tag, consult factory for ordering of this part.
- 4) Housing, MTR & Stator (Item 4) is preassembled at factory and must be replaced as a unit. Stator is permanently attached to the Motor Housing. Plug (Item 14) and Seal, thru Wall Term. (Item 3) are replaceable.
- 5) When ordering these parts, customer must identify if G.E. or EMD.
- 6) When ordering this part, customer must determine if an adapter with wings is required and specify when placing order.

© Copyright 2014 Zoeller® Co. All rights reserved.

REPLACEMENT PARTS LIST FOR MODELS "I840"

See back page for illustration.

REF NO.	DESCRIPTION	QTY	NOTES	MODELS:			
				I840-A	I840-B	I840-C	I840-D
				11/93 thru 6/98	7/98 thru 11/02	12/02 thru 8/06	9/06 thru Current
1	COVER & CORD 200/230V/1PH GRINDER	1	3	009049	009049	015826	015826
2	• SEAL,SQ-RING COVER "840"	1		007773	007773	007773	007773
3	• SEAL,THRU WALL TERM	9		003402	003402	003402	003402
4	HOUSING,MTR-& STR 200/230V/1PH/840"/EMD	1	4,5	009061	009061	009061	009061
	HOUSING,MTR-& STR 200/230V/1PH/840"/GE		4,5	010267	010267	010267	010267
5	• OIL,DIELECTRIC-(57 OZ CAN)	1		009051	009051	009051	009051
6	ROTOR ASM 200/230V/1PH/840"/EMD	1	4,5	009052	009052	009052	009052
	ROTOR ASM 200/230V/1PH/840"/GE		5	010269	010269	010269	010269
7	RING,SNAP-5100-100 TRUARC	1		007769	007769	007769	007769
8	KEY	1		007775	011711	011711	011711
9	CORDAGE TERM&SEAL/20'	1		009053	009053	009053	009053
10	• SEAL,CORD-ASM	1		011064	011064	011064	011064
11	CORDAGE TERM&SEAL/20'	1	3	009054	009054	015829	015829
12	• SEAL,CORD-ASM/POWER CORD	1		009455	009455	015634	015634
13	CASE & SEAL "840"	1		008690	008690	015830	015830
14	• PLUG,TEST	3		034051	034051	015023	015023
15	• BEARING,RADIAL .4724 ID	1		006703	006703	006703	006703
16	• BEARING,7306-P "840/6840"	1		007765	007765	007765	007765
17	• SEAL,SQ-RING ADAPTER 840	1		007771	007771	007771	007771
18	• SENSOR,MOISTURE ASM "840	2		007770	007770	007770	007770
19	ADAPTER ASM GRINDER	1	6	009055	009055	009055	009055
20	• OIL,DIELECTRIC (11 OZ CAN)	1		009056	009056	009056	009056
21	• SEAL ASM,SHAFT "840"	2		007763	007763	007763	007763
22	• SEAL,SQ-RING SEAL PLATE "840/6840"	1		007772	007772	007772	007772
23	PLATE,SEAL-MACH."840"	1		007757	007757	007757	007757
24	IMPELLER-MACH BRASS	1		007758	007758	007758	007758
	IMPELLER-MACH DUCTILE IRON	1		153254	153254	153254	153254
25	HOUSING,PUMP-MACH "840"	1		008534	008534	008534	008534
26	CUTTER & DISC ASM GRINDER	1		009057	009057	009057	018603
27	SHIM SET FOR 820/840 GRINDERS	1		012632	012632	012632	012632
28	GUARD,CUTTER-PLASTIC 840	1		008528	008528	008528	008528
29	• SCREW,#6-32X.25RHM SL TC STLGR	1		001877	001877	001877	001877
30	• SCREW,.313-18 X1.25 HH CAP-SS	12		001908	001908	001908	001908
31	• SCREW,#10-24X.625"SH CAP SS.	4		007774	007774	007774	007774
32	• SCREW,.25-20 X .75LG HH SS (NYLOCK PRE-COAT 80)	1		009545	009545	009545	N/A
	• SCREW,.25-20 X 1 LG HH SS (NYLOCK PRE-COAT 80)			N/A	N/A	N/A	018602
33	• SCREW,.25-20X.75"SH CAP SS.	3		007768	007768	007768	007768
34	• SCREW,#10-24X.875-FLT SH CAP SS.	3		007761	007761	007761	007761
35	• WASHER,RETAINING-"840"	1		008533	008533	008533	008533
36	• WASHER,LOCK SS .312 ID	14		006402	006402	006402	006402
37	• SCREW,.313-18 X 1" HH CAP-SS	2		002608	002608	002608	002608
38	HANDLE-SS/SQ GUIDE RAIL/(GRINDER)	1		010373	010373	016801	016801
39	RESISTOR	1		013740	013740	013740	013740
40	• WASHER,FLAT SS	2		008773	008773	008773	008773
41	DISC, CUTTER	1		007735	007735	007735	007735
42	CUTTER & SHIM ASM/5 BLADE/.75" SCREW	1		019697	019697	019697	N/A
	CUTTER & SHIM ASM/5 BLADE/1" SCREW	1		N/A	N/A	N/A	019698
□	REBUILD KIT "840"	1		015832	015832	015833	018601

• Items included in Rebuild Kit.

□ Not Shown in Illustration.

NOTES:

- 1) See FM0160 Price Sheet for listing of parts prices.
- 2) "NA" indicates, not applicable.
- 3) If an "X" follows Model No., or Date Mfg. on brass ID tag, consult factory for ordering of this part.
- 4) Housing, MTR & Stator (Item 4) is preassembled at factory and must be replaced as a unit. Stator is permanently attached to the Motor Housing. Plug (Item 14) and Seal, thru Wall Term. (Item 3) are replaceable.
- 5) When ordering these parts, customer must identify if G.E. or EMD.
- 6) When ordering this part, customer must determine if an adapter with wings is required and specify when placing order.

REPLACEMENT PARTS LIST FOR MODELS "F840"

See back page for illustration.

REF NO.	DESCRIPTION	QTY	NOTES	MODELS:				
				F840-A	F840-B	F840-C	F840-D	F840-E
				11/93 thru 12/97	1/98 thru 2/99	3/99 thru 11/02	12/02 thru 8/06	9/06 thru Current
1	COVER & CORD 200/230/460/575V/3PH GRINDER	1	3	009062	009062	009062	015827	015827
2	• SEAL,SQ-RING COVER "840"	1		007773	007773	007773	007773	007773
3	• SEAL,THRU WALL TERM	9		003402	003402	003402	003402	003402
4	HOUSING,MTR-& STR 230V/3PH/"840"/EMD	1	4,5	009063	009063	009063	009063	009063
	HOUSING,MTR-& STR 230V/3PH/"840"/GE		4,5	010263	010263	010263	010263	010263
5	• OIL,DIELECTRIC-(67 OZ CAN)	1		009064	009064	009064	009064	009064
6	ROTOR ASM 200/230/460/575V/3PH/"840"/EMD	1	4,5	009065	009065	009065	009065	009065
	ROTOR ASM 200/230/460/575V/3PH/"840"/GE		5	010268	010268	010268	010268	010268
7	RING,SNAP-5100-100 TRUARC	1		007769	007769	007769	007769	007769
8	KEY	1		007775	011711	011711	011711	011711
9	CORDAGE TERM&SEAL/20'	1		009066	009066	012928	012928	012928
10	• SEAL,CORD-ASM	1		009067	009067	011071	N/A	N/A
	• SEAL,CORD-ASM/840/6840/SENSOR CD 5		012953	012953	012953	012953	012953	
11	CORDAGE TERM&SEAL/20'	1	3	009068	009068	009068	015828	015828
12	• SEAL,CORD-ASM/POWER CORD	1		009447	009447	009447	015634	015634
13	CASE & SEAL "840"	1		008690	008690	008690	015830	015830
14	• PLUG,TEST	3		034051	034051	034051	015023	015023
15	• BEARING,RADIAL .4724 ID	1		006703	006703	006703	006703	006703
16	• BEARING,7306-P "840/6840"	1		007765	007765	007765	007765	007765
17	• SEAL,SQ-RING ADAPTER 840	1		007771	007771	007771	007771	007771
18	• SENSOR,MOISTURE ASM "840"	2		007770	007770	007770	007770	007770
19	ADAPTER ASM GRINDER	1	6	009055	009055	009055	009055	009055
20	• OIL,DIELECTRIC (11 OZ CAN)	1		009056	009056	009056	009056	009056
21	• SEAL ASM,SHAFT "840"	2		007763	007763	007763	007763	007763
22	• SEAL,SQ-RING SEAL PLATE "840/6840"	1		007772	007772	007772	007772	007772
23	PLATE,SEAL-MACH."840"	1		007757	007757	007757	007757	007757
24	IMPELLER-MACH BRASS	1		007758	007758	007758	007758	007758
	IMPELLER-MACH DUCTILE IRON	1		153254	153254	153254	153254	153254
25	HOUSING,PUMP-MACH "840"	1		008534	008534	008534	008534	008534
26	CUTTER & DISC ASM GRINDER	1		009057	009057	009057	009057	018603
27	SHIM SET FOR 820/840 GRINDERS	1		012632	012632	012632	012632	012632
28	GUARD,CUTTER-PLASTIC 840	1		008528	008528	008528	008528	008528
29	• SCREW,#6-32X.25RHM SL TC STLGR	1		001877	001877	001877	001877	001877
30	• SCREW,.,313-18 X1.25 HH CAP-SS	12		001908	001908	001908	001908	001908
31	• SCREW,#10-24X.625"SH CAP SS.	4		007774	007774	007774	007774	007774
32	• SCREW,.,25-20 X .75LG HH SS (NYLOCK PRE-COAT 80)	1		009545	009545	009545	009545	N/A
	• SCREW,.,25-20 X 1 LG HH SS (NYLOCK PRE-COAT 80)		N/A	N/A	N/A	N/A	018602	
33	• SCREW,.,25-20X.75"SH CAP SS.	3		007768	007768	007768	007768	007768
34	• SCREW,#10-24X.875-FLT SH CAP SS.	3		007761	007761	007761	007761	007761
35	• WASHER,RETAINING-"840"	1		008533	008533	008533	008533	008533
36	• WASHER,LOCK SS .312 ID	14		006402	006402	006402	006402	006402
37	• SCREW,.,313-18 X 1" HH CAP-SS	2		002608	002608	002608	002608	002608
38	HANDLE-SS/SQ GUIDE RAIL/(GRINDER)	1		010373	010373	010373	016801	016801
39	• RESISTOR	1		013740	013740	013740	013740	013740
40	• WASHER,FLAT SS	2		008773	008773	008773	008773	008773
41	DISC, CUTTER	1		007735	007735	007735	007735	007735
42	CUTTER & SHIM ASM/5 BLADE/.75" SCREW	1		019697	019697	019697	01967	N/A
	CUTTER & SHIM ASM/5 BLADE/1" SCREW	1		N/A	N/A	N/A	N/A	019698
▫	REBUILD KIT "840"	1		009162	009162	009162	015831	018605
▫	REBUILD KIT "840" 5 CONDUCTOR SENSOR CORD	1		012934	012934	012934	015831	018605

NOTES:

- 1) See FM0160 Price Sheet for listing of parts prices.
- 2) "NA" indicates, not applicable.
- 3) If an "X" follows Model No., or Date Mfg. on brass ID tag, consult factory for ordering of this part.
- 4) Housing, MTR & Stator (Item 4) is preassembled at factory and must be replaced as a unit. Stator is permanently attached to the Motor Housing. Plug (Item 14) and Seal, thru Wall Term. (Item 3) are replaceable.
- 5) When ordering these parts, customer must identify if G.E. or EMD.
- 6) When ordering this part, customer must determine if an adapter with wings is required and specify when placing order.

• Items included in Rebuild Kit.

▫ Not Shown in Illustration.

REPLACEMENT PARTS LIST FOR MODELS "G840"

See back page for illustration.

REF NO.	DESCRIPTION	QTY	NOTES	MODELS:				
				G840-A	G840-B	G840-C	G840-D	G840-E
				10/93 thru 12/97	1/98 thru 2/99	3/99 thru 11/02	12/02 thru 8/06	9/06 thru Current
1	COVER & CORD 200/230/460/575V/3PH GRINDER	1	3	009062	009062	009062	015827	015827
2	• SEAL,SQ-RING COVER "840"	1		007773	007773	007773	007773	007773
3	• SEAL,THRU WALL TERM	9		003402	003402	003402	003402	003402
4	HOUSING,MTR-& STR 460V/3PH/"840"/EMD	1	4,5	009070	009070	009070	009070	009070
	HOUSING,MTR-& STR 460V/3PH/"840"/GE		4,5	010264	010264	010264	010264	010264
5	• OIL,DIELECTRIC-(67 OZ CAN)	1		009064	009064	009064	009064	009064
6	ROTOR ASM 200/230/460/575V/3PH/"840"/EMD	1	4,5	009065	009065	009065	009065	009065
	ROTOR ASM 200/230/460/575V/3PH/"840"/GE		5	010268	010268	010268	010268	010268
7	RING,SNAP-5100-100 TRUARC	1		007769	007769	007769	007769	007769
8	KEY	1		007775	011711	011711	011711	011711
9	CORDAGE TERM&SEAL/20'	1		009066	009066	012928	012928	012928
10	• SEAL,CORD-ASM	1		009067	009067	011071	N/A	N/A
	• SEAL,CORD-ASM/840/6840/SENSOR CD 5		012953	012953	012953	012953	012953	
11	CORDAGE TERM&SEAL/20'	1	3	009068	009068	009068	015828	015828
12	• SEAL,CORD-ASM/POWER CORD	1		009447	009447	009447	015634	015634
13	CASE & SEAL "840"	1		008690	008690	008690	015830	015830
14	• PLUG,TEST	3		034051	034051	034051	015023	015023
15	• BEARING,RADIAL .4724 ID	1		006703	006703	006703	006703	006703
16	• BEARING,7306-P "840/6840"	1		007765	007765	007765	007765	007765
17	• SEAL,SQ-RING ADAPTER 840	1		007771	007771	007771	007771	007771
18	• SENSOR,MOISTURE ASM "840	2		007770	007770	007770	007770	007770
19	ADAPTER ASM GRINDER	1	6	009055	009055	009055	009055	009055
20	• OIL,DIELECTRIC (11 OZ CAN)	1		009056	009056	009056	009056	009056
21	• SEAL ASM,SHAFT "840"	2		007763	007763	007763	007763	007763
22	• SEAL,SQ-RING SEAL PLATE "840/6840"	1		007772	007772	007772	007772	007772
23	PLATE,SEAL-MACH."840"	1		007757	007757	007757	007757	007757
24	IMPELLER-MACH BRASS	1		007758	007758	007758	007758	007758
	IMPELLER-MACH DUCTILE IRON	1		153254	153254	153254	153254	153254
25	HOUSING,PUMP-MACH "840"	1		008534	008534	008534	008534	008534
26	CUTTER & DISC ASM GRINDER	1		009057	009057	009057	009057	018603
27	SHIM SET FOR 820/840 GRINDERS	1		012632	012632	012632	012632	012632
28	GUARD,CUTTER-PLASTIC 840	1		008528	008528	008528	008528	008528
29	• SCREW,#6-32X.25RHM SL TC STLGR	1		001877	001877	001877	001877	001877
30	• SCREW,.313-18 X1.25 HH CAP-SS	12		001908	001908	001908	001908	001908
31	• SCREW,#10-24X.625"SH CAP SS.	4		007774	007774	007774	007774	007774
32	• SCREW,.25-20 X .75LG HH SS (NYLOCK PRE-COAT 80)	1		009545	009545	009545	009545	N/A
	• SCREW,.25-20 X 1 LG HH SS (NYLOCK PRE-COAT 80)		N/A	N/A	N/A	N/A	018602	
33	• SCREW,.25-20X.75"SH CAP SS.	3		007768	007768	007768	007768	007768
34	• SCREW,#10-24X.875-FLT SH CAP SS.	3		007761	007761	007761	007761	007761
35	• WASHER,RETAINING-"840"	1		008533	008533	008533	008533	008533
36	• WASHER,LOCK SS .312 ID	14		006402	006402	006402	006402	006402
37	• SCREW,.313-18 X 1" HH CAP-SS	2		002608	002608	002608	002608	002608
38	HANDLE-SS/SQ GUIDE RAIL/(GRINDER)	1		010373	010373	010373	016801	016801
39	• RESISTOR	1		013740	013740	013740	013740	013740
40	• WASHER,FLAT SS	2		008773	008773	008773	008773	008773
41	DISC, CUTTER	1		007735	007735	007735	007735	007735
42	CUTTER & SHIM ASM/5 BLADE/.75" SCREW	1		019697	019697	019697	01967	N/A
	CUTTER & SHIM ASM/5 BLADE/1" SCREW	1		N/A	N/A	N/A	N/A	019698
▣	REBUILD KIT "840"	1		009162	009162	009162	015831	018605
▣	REBUILD KIT "840" 5 CONDUCTOR SENSOR CORD	1		012934	012934	012934	015831	018605

NOTES:

- 1) See FM0160 Price Sheet for listing of parts prices.
- 2) "NA" indicates, not applicable.
- 3) If an "X" follows Model No., or Date Mfg. on brass ID tag, consult factory for ordering of this part.
- 4) Housing, MTR & Stator (Item 4) is preassembled at factory and must be replaced as a unit. Stator is permanently attached to the Motor Housing. Plug (Item 14) and Seal, thru Wall Term. (Item 3) are replaceable.
- 5) When ordering these parts, customer must identify if G.E. or EMD.
- 6) When ordering this part, customer must determine if an adapter with wings is required and specify when placing order.

• Items included in Rebuild Kit.

▣ Not Shown in Illustration.

REPLACEMENT PARTS LIST FOR MODELS "J840"

See back page for illustration.

REF NO.	DESCRIPTION	QTY	NOTES	MODELS:				
				J840-A	J840-B	J840-C	J840-D	J840-E
				10/93 thru 12/97	1/98 thru 2/99	3/99 thru 11/02	12/02 thru 8/06	9/06 thru Current
1	COVER & CORD 200/230/460/575V/3PH GRINDER	1	3	009062	009062	009062	015827	015827
2	• SEAL,SQ-RING COVER "840"	1		007773	007773	007773	007773	007773
3	• SEAL,THRU WALL TERM	9		003402	003402	003402	003402	003402
4	HOUSING,MTR-& STR 200V/3PH/"840"/EMD	1	4,5	009069	009069	009069	009069	009069
	HOUSING,MTR-& STR 200V/3PH/"840"/GE		4,5	010265	010265	010265	010265	010265
5	• OIL,DIELECTRIC-(67 OZ CAN)	1		009064	009064	009064	009064	009064
6	ROTOR ASM 200/230/460/575V/3PH/"840"/EMD	1	4,5	009065	009065	009065	009065	009065
	ROTOR ASM 200/230/460/575V/3PH/"840"/GE		5	010268	010268	010268	010268	010268
7	RING,SNAP-5100-100 TRUARC	1		007769	007769	007769	007769	007769
8	KEY	1		007775	011711	011711	011711	011711
9	CORDAGE TERM&SEAL/20'	1		009066	009066	012928	012928	012928
10	• SEAL,CORD-ASM	1		009067	009067	011071	N/A	N/A
	• SEAL,CORD-ASM/840/6840/SENSOR CD 5		012953	012953	012953	012953	012953	
11	CORDAGE TERM&SEAL/20'	1	3	009068	009068	009068	015828	015828
12	• SEAL,CORD-ASM/POWER CORD	1		009447	009447	009447	015634	015634
13	CASE & SEAL "840"	1		008690	008690	008690	015830	015830
14	• PLUG,TEST	3		034051	034051	034051	015023	015023
15	• BEARING,RADIAL .4724 ID	1		006703	006703	006703	006703	006703
16	• BEARING,7306-P "840/6840"	1		007765	007765	007765	007765	007765
17	• SEAL,SQ-RING ADAPTER 840	1		007771	007771	007771	007771	007771
18	• SENSOR,MOISTURE ASM "840"	2		007770	007770	007770	007770	007770
19	ADAPTER ASM GRINDER	1	6	009055	009055	009055	009055	009055
20	• OIL,DIELECTRIC (11 OZ CAN)	1		009056	009056	009056	009056	009056
21	• SEAL ASM,SHAFT "840"	2		007763	007763	007763	007763	007763
22	• SEAL,SQ-RING SEAL PLATE "840/6840"	1		007772	007772	007772	007772	007772
23	PLATE,SEAL-MACH."840"	1		007757	007757	007757	007757	007757
24	IMPELLER-MACH BRASS	1		007758	007758	007758	007758	007758
	IMPELLER-MACH DUCTILE IRON	1		153254	153254	153254	153254	153254
25	HOUSING,PUMP-MACH "840"	1		008534	008534	008534	008534	008534
26	CUTTER & DISC ASM GRINDER	1		009057	009057	009057	009057	018603
27	SHIM SET FOR 820/840 GRINDERS	1		012632	012632	012632	012632	012632
28	GUARD,CUTTER-PLASTIC 840	1		008528	008528	008528	008528	008528
29	• SCREW,#6-32X.25RHM SL TC STLGR	1		001877	001877	001877	001877	001877
30	• SCREW,.313-18 X1.25 HH CAP-SS	12		001908	001908	001908	001908	001908
31	• SCREW,#10-24X.625"SH CAP SS.	4		007774	007774	007774	007774	007774
32	• SCREW,.25-20 X .75LG HH SS (NYLOCK PRE-COAT 80)	1		009545	009545	009545	009545	N/A
	• SCREW,.25-20 X 1 LG HH SS (NYLOCK PRE-COAT 80)		N/A	N/A	N/A	N/A	018602	
33	• SCREW,.25-20X.75"SH CAP SS.	3		007768	007768	007768	007768	007768
34	• SCREW,#10-24X.875-FLT SH CAP SS.	3		007761	007761	007761	007761	007761
35	• WASHER,RETAINING-"840"	1		008533	008533	008533	008533	008533
36	• WASHER,LOCK SS .312 ID	14		006402	006402	006402	006402	006402
37	• SCREW,.313-18 X 1" HH CAP-SS	2		002608	002608	002608	002608	002608
38	HANDLE-SS/SQ GUIDE RAIL/(GRINDER)	1		010373	010373	010373	016801	016801
39	• RESISTOR	1		013740	013740	013740	013740	013740
40	• WASHER,FLAT SS	2		008773	008773	008773	008773	008773
41	DISC, CUTTER	1		007735	007735	007735	007735	007735
42	CUTTER & SHIM ASM/5 BLADE/.75" SCREW	1		019697	019697	019697	01967	N/A
	CUTTER & SHIM ASM/5 BLADE/1" SCREW	1		N/A	N/A	N/A	N/A	019698
▣	REBUILD KIT "840"	1		009162	009162	009162	015831	018605
▣	REBUILD KIT "840" 5 CONDUCTOR SENSOR CORD	1		012934	012934	012934	015831	018605

NOTES:

- 1) See FM0160 Price Sheet for listing of parts prices.
- 2) "NA" indicates, not applicable.
- 3) If an "X" follows Model No., or Date Mfg. on brass ID tag, consult factory for ordering of this part.
- 4) Housing, MTR & Stator (Item 4) is preassembled at factory and must be replaced as a unit. Stator is permanently attached to the Motor Housing. Plug (Item 14) and Seal, thru Wall Term. (Item 3) are replaceable.
- 5) When ordering these parts, customer must identify if G.E. or EMD.
- 6) When ordering this part, customer must determine if an adapter with wings is required and specify when placing order.

• Items included in Rebuild Kit.

▣ Not Shown in Illustration.

REPLACEMENT PARTS LIST FOR MODELS "BA840"

See back page for illustration.

REF NO.	DESCRIPTION	QTY	NOTES	MODELS:				
				BA840-A	BA840-B	BA840-C	BA840-D	BA840-E
				10/93 thru 12/97	1/98 thru 2/99	3/99 thru 11/02	12/02 thru 8/06	9/06 thru Current
1	COVER & CORD 200/230/460/575V/3PH GRINDER	1	3	009062	009062	009062	015827	015827
2	• SEAL,SQ-RING COVER "840"	1		007773	007773	007773	007773	007773
3	• SEAL,THRU WALL TERM	9		003402	003402	003402	003402	003402
4	HOUSING,MTR-& STR 575V/3PH/"840"/EMD	1	4,5	010669	010669	010669	010669	010669
	HOUSING,MTR-& STR 575V/3PH/"840"/GE		4,5	010670	010670	010670	010670	010670
5	• OIL,DIELECTRIC-(67 OZ CAN)	1		009064	009064	009064	009064	009064
6	ROTOR ASM 200/230/460/575V/3PH/"840"/EMD	1	4,5	009065	009065	009065	009065	009065
	ROTOR ASM 200/230/460/575V/3PH/"840"/GE		5	010268	010268	010268	010268	010268
7	RING,SNAP-5100-100 TRUARC	1		007769	007769	007769	007769	007769
8	KEY	1		007775	011711	011711	011711	011711
9	CORDAGE TERM&SEAL/20'	1		009066	012928	012928	012928	012928
10	• SEAL,CORD-ASM	1		009067	009067	011071	N/A	N/A
	• SEAL,CORD-ASM/840/6840/SENSOR CD 5		012953	012953	012953	012953	012953	
11	CORDAGE TERM&SEAL/20'	1	3	009068	009068	009068	015828	015828
12	• SEAL,CORD-ASM/POWER CORD	1		009447	009447	009447	015634	015634
13	CASE & SEAL "840"	1		008690	008690	008690	015830	015830
14	• PLUG,TEST	3		034051	034051	034051	015023	015023
15	• BEARING,RADIAL .4724 ID	1		006703	006703	006703	006703	006703
16	• BEARING,7306-P "840/6840"	1		007765	007765	007765	007765	007765
17	• SEAL,SQ-RING ADAPTER 840	1		007771	007771	007771	007771	007771
18	• SENSOR,MOISTURE ASM "840"	2		007770	007770	007770	007770	007770
19	ADAPTER ASM GRINDER	1	6	009055	009055	009055	009055	009055
20	• OIL,DIELECTRIC (11 OZ CAN)	1		009056	009056	009056	009056	009056
21	• SEAL ASM,SHAFT "840"	2		007763	007763	007763	007763	007763
22	• SEAL,SQ-RING SEAL PLATE "840/6840"	1		007772	007772	007772	007772	007772
23	PLATE,SEAL-MACH."840"	1		007757	007757	007757	007757	007757
24	IMPELLER-MACH BRASS	1		007758	007758	007758	007758	007758
	IMPELLER-MACH DUCTILE IRON	1		153254	153254	153254	153254	153254
25	HOUSING,PUMP-MACH "840"	1		008534	008534	008534	008534	008534
26	CUTTER & DISC ASM GRINDER	1		009057	009057	009057	009057	018603
27	SHIM SET FOR 820/840 GRINDERS	1		012632	012632	012632	012632	012632
28	GUARD,CUTTER-PLASTIC 840	1		008528	008528	008528	008528	008528
29	• SCREW,#6-32X.25RHM SL TC STLGR	1		001877	001877	001877	001877	001877
30	• SCREW,,313-18 X1.25 HH CAP-SS	12		001908	001908	001908	001908	001908
31	• SCREW,#10-24X.625"SH CAP SS.	4		007774	007774	007774	007774	007774
32	• SCREW,.25-20 X .75LG HH SS (NYLOCK PRE-COAT 80)	1		009545	009545	009545	009545	N/A
	• SCREW,.25-20 X 1 LG HH SS (NYLOCK PRE-COAT 80)		N/A	N/A	N/A	N/A	018602	
33	• SCREW,.25-20X.75"SH CAP SS.	3		007768	007768	007768	007768	007768
34	• SCREW,#10-24X.875-FLT SH CAP SS.	3		007761	007761	007761	007761	007761
35	• WASHER,RETAINING-"840"	1		008533	008533	008533	008533	008533
36	• WASHER,LOCK SS .312 ID	14		006402	006402	006402	006402	006402
37	• SCREW,.313-18 X 1" HH CAP-SS	2		002608	002608	002608	002608	002608
38	HANDLE-SS/SQ GUIDE RAIL/(GRINDER)	1		010373	010373	010373	016801	016801
39	• RESISTOR	1		013740	013740	013740	013740	013740
40	• WASHER,FLAT SS	2		008773	008773	008773	008773	008773
41	DISC, CUTTER	1		007735	007735	007735	007735	007735
42	CUTTER & SHIM ASM/5 BLADE/.75" SCREW	1		019697	019697	019697	01967	N/A
	CUTTER & SHIM ASM/5 BLADE/1" SCREW	1		N/A	N/A	N/A	N/A	019698
▣	REBUILD KIT "840"	1		009162	009162	012934	015831	018605
▣	REBUILD KIT "840" 5 CONDUCTOR SENSOR CORD	1		012934	012934	012934	015831	018605

• Items included in Rebuild Kit.

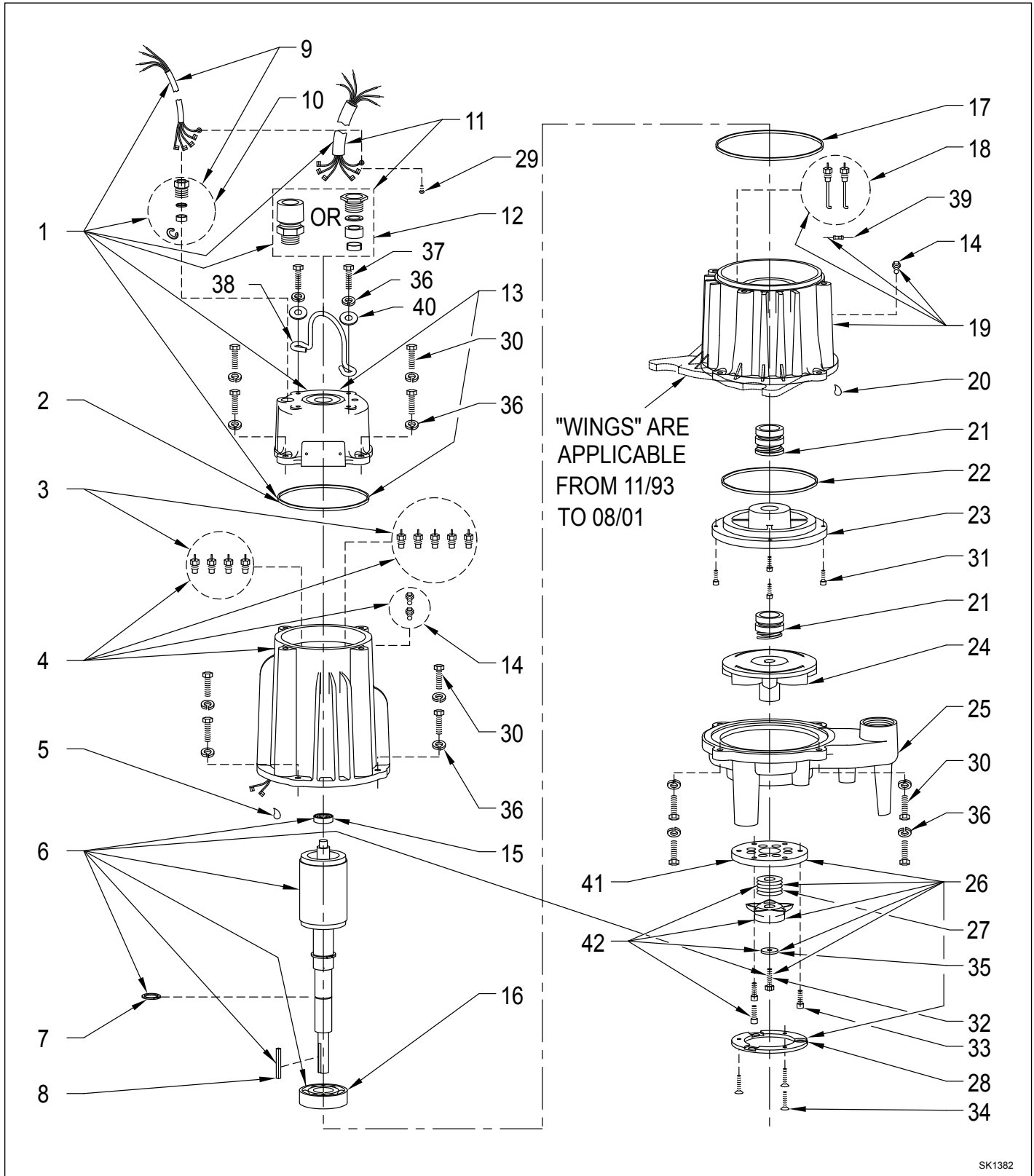
▣ Not Shown in Illustration.

See NOTES on page 8.

NOTES for BA840 Parts List:

- 1) See FM0160 Price Sheet for listing of parts prices.
- 2) "NA" indicates, not applicable.
- 3) If an "X" follows Model No., or Date Mfg. on brass ID tag, consult factory for ordering of this part.
- 4) Housing, MTR & Stator (Item 4) is preassembled at factory and must be replaced as a unit. Stator is permanently attached to the Motor Housing. Plug (Item 14) and Seal, thru Wall Term. (Item 3) are replaceable.
- 5) When ordering these parts, customer must identify if G.E. or EMD.
- 6) When ordering this part, customer must determine if an adapter with wings is required and specify when placing order.

REPLACEMENT PARTS ILLUSTRATION FOR 840 - ALL MODELS



SK1382